

OMRON

Model F39-GWUM

PC Tool for F3SJ (SD Manager)

INSTRUCTION SHEET

Thank you very much for purchasing an OMRON product. To ensure the safe and proper use of this product, please thoroughly read and understand this instruction sheet before using it. Please also thoroughly read and understand the User's Manual on the included CD-ROM. When you finish reading the manuals, keep them in a convenient location so that you can refer to them whenever necessary.

OMRON EUROPE B.V. (Representative in EU)
Wegalaan 67-69, 2132 JD Hoofddorp
The NETHERLANDS

© OMRON Corporation 2005-2022 All Rights Reserved.

Suitability for Use

Omron Companies shall not be responsible for conformity with any standards, codes or regulations which apply to the combination of the Product in the Buyer's application or use of the Product. At Buyer's request, Omron will provide applicable third party certification documents identifying ratings and limitations of use which apply to the Product. This information by itself is not sufficient for a complete determination of the suitability of the Product in combination with the end product, machine, system, or other application or use. Buyer shall be solely responsible for determining appropriateness of the particular Product with respect to Buyer's application, product or system. Buyer shall take application responsibility in all cases. NEVER USE THE PRODUCT FOR AN APPLICATION INVOLVING SERIOUS RISK TO LIFE OR PROPERTY OR IN LARGE QUANTITIES WITHOUT ENSURING THAT THE SYSTEM AS A WHOLE HAS BEEN DESIGNED TO ADDRESS THE RISKS, AND THAT THE OMRON PRODUCT(S) IS PROPERLY RATED AND INSTALLED FOR THE INTENDED USE WITHIN THE OVERALL EQUIPMENT OR SYSTEM.

MEANINGS OF SIGNAL WORDS

● The following signal words are used in this manual.

WARNING Indicates a potentially hazardous situation which, if not avoided, will result in minor or moderate injury, or may result in serious injury or death. Additionally there may be significant property damage.

CAUTION Indicates a potentially hazardous situation which, if not avoided, may result in minor or moderate injury or in property damage.

WARNING

- Do not use the PC tool for F3SJ to make setting changes until after thoroughly understanding the F3SJ specifications.
- The PC tool for F3SJ must be managed by qualified personnel designated by the employer, and its use by anyone other than qualified personnel must be prevented.
- After changing F3SJ settings, the qualified personnel must perform a start inspection and check the safety before beginning normal operation.
- Before settings are changed, make sure they comply with all relevant legislation and standards.
- Do not use this product in wet or moist environments. Doing so may result in electric shock or damage to the product.
- Do not connect the F3SJ to a DC power supply of 24V+20% or higher, or to an AC power source. Doing so may result in electric shock.
- Do not use the communication unit or F3SJ in an environment with excessive noise. Proper data may not be sent to the F3SJ, resulting in serious injury.
- Do not try to disassemble, repair, or modify this product. Doing so may cause the safety functions to stop working properly.
- Do not use this product in environments where flammable or explosive gases are present. Doing so may result in explosion.
- Do not connect or disconnect the F3SJ or communication unit while power is being supplied. Doing so may damage the product or cause it to malfunction.

CAUTION

- The included disk is a CD-ROM. Do not play this CD-ROM in a standard audio CD player. Doing so will create a large volume of sound that may damage your ears or speakers.
- Make sure the cable does not become disconnected while making settings. If it becomes disconnected, writing will not be performed properly.
- Do not connect the dedicated cable of this product with another device. Doing so may damage the device.

PRECAUTIONS FOR SAFE USE

Make sure to observe the following precautions that are necessary for ensuring safe use of the product.

- Thoroughly read this sheet, the online help of the SD Manager, and the F3SJ User's manual and understand the installation procedures, operation check procedures, and maintenance procedures before using the product.
- Do not drop the product.
- Dispose of the product in accordance with the relevant rules and regulations of the country or area where the product is used.

PRECAUTIONS FOR CORRECT USE

Observe the precautions described below to prevent operation failure, malfunctions, or undesirable effects on product performance.

Installation Environment

Do not use the product in the following types of environments:

- Areas exposed to intense interference light, such as direct sunlight
- Areas with high humidity where condensation is likely to occur
- Areas where corrosive gases are present
- Areas exposed to vibration or shock levels higher than in the specification provisions
- Areas where the product come into contact with water
- Areas where the product may come into contact with oils that may break down adhesives

Do not use radio equipment such as cellular phones, walkie-talkies, or transceivers near the PC tool for F3SJ.

Making Settings

- Make sure not to forget the password. If the password is forgotten, administrator level access is not allowed and F3SJ settings cannot be changed.

Cleaning

Do not use thinner, benzene, or acetone for cleaning, because they affect the product's resin parts and paint on the case.

In a residential environment, this product may cause radio interference, in which case the user may be required to take adequate measures.

RATINGS/SPECIFICATIONS

Operating Environment

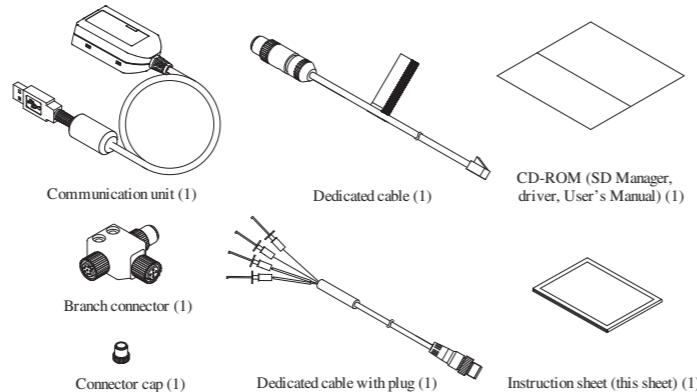
Main unit	PC/AT compatible machine (computer that runs Microsoft Windows)
Operating system (OS)	Windows 7 32bit/64bit(Enterprise,Ultimate,Professional), XP 32bit(Professional)
CPU	Pentium, Celeron, Athlon, Duron (Recommended:300MHz or greater)
Memory	1GB or greater(Windows 7), 256MB or greater(Windows XP)
Hard disk	200MB or more of free space
Display	Resolution:800 x 600 (SVGA) or more (Recommended:65,535 or more colors)
Communication port	USB port x 1 (COM 1 to 6:For communication)
CD-ROM drive	1 (For installation)
Ambient temperature	During operation:-10 to 55 degrees C (without freezing), During storage: -30 to 70 degrees C
Ambient humidity	During operation:35 to 85%RH (no condensation), During storage: 35 to 95%RH

Microsoft is the registered trademark of Microsoft Corporation in the United States and/or other countries. The names of the other companies and products mentioned herein are the trademarks or registered trademarks of their respective owners.

Compatible F3SJ Versions

The PC tool for F3SJ can be used with F3SJ Version 2 or later.
The PC tool for F3SJ cannot be used with Version 1.
In addition, the PC tool for F3SJ cannot be used when a Version 1 F3SJ is included in a set of series-connected F3SJ.
Check the label of F3SJ to determine which version it is. (Indicated as Version: □)

Included Items



INSTALLATION PROCEDURE

Before Installation

- If an older version of SD Manager is installed, be sure to uninstall it first and then install the new version of SD Manager.
- SD Manager uses LabView Runtime. This may cause LabView Runtime conflict to occur. If such conflict may occur due to, for example, an older version of SD Manager installed on your PC, it is recommended to install the new version of SD Manager on a PC that no LabView Runtime is installed on.

Installation Procedure (SD Manager)

For installation, you must log in by a user account with administrator privileges.

- Quit all other application that are running.
- Insert the SD Manager CD-ROM into the CD-ROM drive.
- The install program starts up automatically. If the install program does not start automatically, run \setup\setup.exe on the CD-ROM.
- Follow the instructions of the install program to perform installation.
- [SD Manager] is registered in the Start menu, under [Programs] – [OMRON] – [SD Manager].

Installation Procedure (Driver of communication unit)

When the communication unit is connected, the OS recognizes this product as a new device. Follow the directions of the wizard to install the driver. The driver installation procedure may vary depending on the OS. The procedure for Windows 32bit OS is explained here.

- The [Found new Hardware Wizard] starts. Click [Next].*
- Select [Search for a suitable driver for the device (recommended)], and click [Next].
- Check [Specify a location], and click [Next].
- Insert the included CD-ROM into the CD-ROM drive.
- If the SD Manager Setup screen is displayed, click [Cancel] and then click [End Setup].
- Click [Browse] and specify the driver on the CD-ROM. Select \driver\x86\F39-GWU.inf on the CD-ROM, and then click [OK]. (Select \driver\x86\F39-GWU_x64.inf on the CD-ROM for Windows 64bit OS)
- If the driver is detected, click [Next].
- When [New hardware search wizard completed] is displayed, click [Finish].

*If this wizard isn't displayed, install the driver manually by the following step [Device manager]-[F39-GWU-FLK]-[Driver update].

Uninstall Procedure

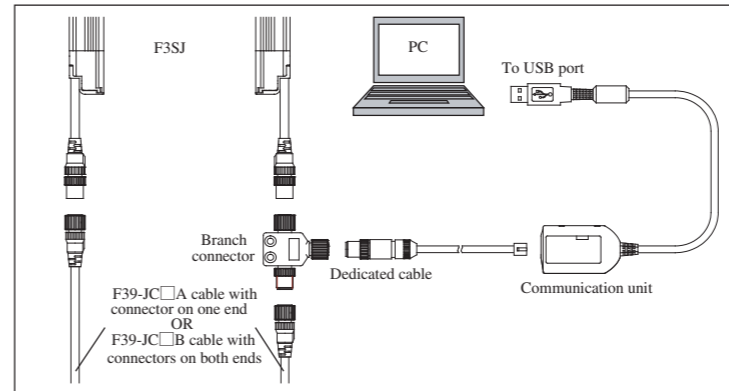
For uninstallation, you must log in by a user account with administrator privileges.

- Detach the cable from the PC.
- Open the [Add/Remove Application] control panel, and select [SD Manager].
- Click [Remove].
- Click [Yes].

WIRING

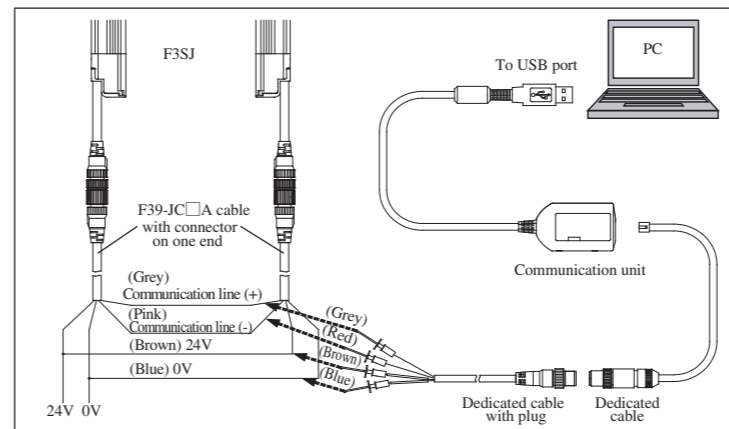
Connection Procedure

When using a branch connector:
Connect the PC to the communication unit and F3SJ as shown in the diagram below. The branch connector can be connected either on the emitter side or on the receiver side.



When using a dedicated cable with plug:

When the branch connector cannot be used because the connector is hidden inside the device, connect the included dedicated cable with plug to the (+) and (-) communication lines, and to the 24V and 0V lines.



F3SJ Wiring

For information about the F3SJ wiring procedure, see the wiring diagram in the F3SJ User's Manual on the included CD-ROM.

DIRECTIONS FOR USE

Directions for Use

- Connect the PC tool to the F3SJ, as shown in the connection diagram.
- Turn ON the F3SJ.
- Start up [SD Manager], located in the Start menu under [Programs] – [OMRON] – [SD Manager].
- Perform the communication settings. (This dialog box is not displayed if communication has been established.)
- Select either "User Level" or "Administrator Level" access privileges.
- If "Administrator Level" is selected, enter [0000] as the initial password on the password entry screen.
- For further directions on how to use the SD Manager, refer to the online help of the SD Manager.

Shutdown Procedure

Select [Quit] in the File menu, or click the Close button in the top-left corner of the window.

Disconnection Procedure

- Quit SD Manager.
- Turn OFF the F3SJ.
- Disconnect.
- When changing the settings, check the operation of the F3SJ to make sure the settings work as intended.
- Click [Finish].

List of Available Functions

Function/Setting	User level	Administrator level		
Setting Adjusted to Application	Fixed blanking function	No	Yes	
	Floating blanking function	No	Yes	
	Warning zone function	No	Yes	
	Muting function (For muting system) *1	No	Yes	
Indicator/Input & Output Setting	Override function (For muting system) *1	No	Yes	
	Auxiliary output	No	Yes	
	External indicator output	No	Yes	
	Interlock function	No	Yes	
Operating Range Change	External device monitoring function	No	Yes	
	Operating range change function	No	Yes	
	Operation Monitoring	Receiving light intensity chart display	Yes	Yes
		Receiving light intensity list display	Yes	Yes
Disturbance light intensity chart display		Yes	Yes	
Disturbance light intensity list display		Yes	Yes	
Maintenance Information	Status monitor	Yes	Yes	
	Error history check	Yes	Yes	
	Power ON time (setting change/ check)	Yes	Yes	
Setting Recovery	Load switching frequency (setting change/ check)	Yes	Yes	
	Restore factory settings	No	Yes	
Other	Restore previous settings	No	Yes	
	Safety distance calculation function	Yes	Yes	
	Power cable extension calculation function	Yes	Yes	
	Rated response time check	Yes	Yes	

Yes: Available No: Not available

*1: The F39-CN6 key cap for muting is required.

TROUBLESHOOTING

CAUTION

When the connection to F3SJ is disconnected during usage of the SD Manager, a communication error occurs, canceling the data that is currently under edition.

Troubleshooting

Now	Action
Software cannot be installed.	Check if capacity of hard disk drive is sufficient. Log in by a user account with administrator privileges.
Communications cannot be established.	Check connectors if they are loose or detached. Check if models of an emitter and a receiver are different. (Or, check if the sensor has transitioned to lockout due to model error) Check if there is an F3SJ of version 1 in the connection. Check if a COM port is properly configured. Communication unit driver may have not been installed properly. Check the communication port. F3SJ is under read/write mode. Turn OFF and ON the power of F3SJ. Check the noise level in the environment around the communication unit.
Files cannot be read from outside when a sensor is connected	A model, operation mode, and SD Manager version of a sensor in the saved file and those of a sensor from which data should be read are unmatched.
Incorrect password	Enter it with 1-byte alphanumeric characters. A password is case-sensitive.
I forget the password	If you forget the password after changing it from the initial setting, contact your sales representative with the serial number on the F3SJ receiver's label.A master password will be issued to reset to the initial password "0000".
Operation does not become normal after terminating SD Manager	Detach the communications unit, and turn OFF and ON the power of F3SJ. Recover factory shipment setting by "Setting Recovery", and execute setting again.
Writing cannot be executed	No change has been made since readout. Writing can be done only if any data is changed.

OMRON Corporation (Manufacturer)
Shiokoji Horikawa, Shimogyo-ku, Kyoto, 600-8530 JAPAN
Contact: www.ia.omron.com

Regional Headquarters

- OMRON EUROPE B.V. (Importer in EU)**
Wegalaan 67-69, 2132 JD Hoofddorp
The Netherlands
Tel: (31)2356-81-300/Fax: (31)2356-81-388
- OMRON ELECTRONICS LLC**
2895 Greenspoint Parkway, Suite 200
Hoffman Estates, IL 60169 U.S.A.
Tel: (1) 847-843-7900/Fax: (1) 847-843-7787
- OMRON ASIA PACIFIC PTE. LTD.**
No. 435A Alexandra Road # 05-05/08 (Lobby 2),
Alexandra Technopark,
Singapore 119967
Tel: (65) 6635-3011/Fax: (65) 6635-2711
- OMRON (CHINA) CO., LTD.**
Room 2211, Bank of China Tower,
200 Yn Cheng Zhong Road,
Pudong New Area, Shanghai, 200120, China
Tel: (86) 21-5037-2222/Fax: (86) 21-5037-2200

F © Apr, 2021