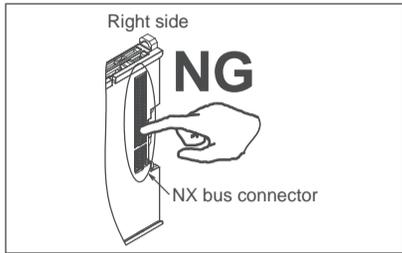
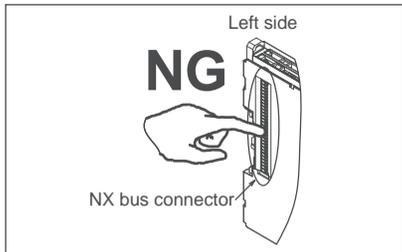


Do not touch the NX bus connector



5377009-0B

OMRON

NX series INSTRUCTION SHEET

© OMRON Corporation 2019 All Rights Reserved.

Precautions for Compliance with UL Standards, CSA Standards and EU Directives

Notice to Users of the NX series components in USA, Canada and Europe

This manual must be consulted in all cases in order to find out the nature of the potential HAZARDS and any actions which have to be taken to avoid them.

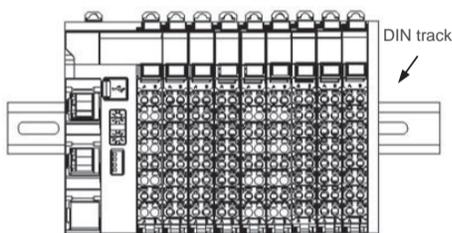
If the equipment is used in a manner not specified by the manufacturer, the protection provided by the equipment may be impaired.

●Environment

- Ambient Temperature: 0 to 55°C
- Surrounding Air Humidity: 10% to 95%
- Indoor use only
- Altitude: Max. 2,000 m
- Installation environment: Pollution Degree 2

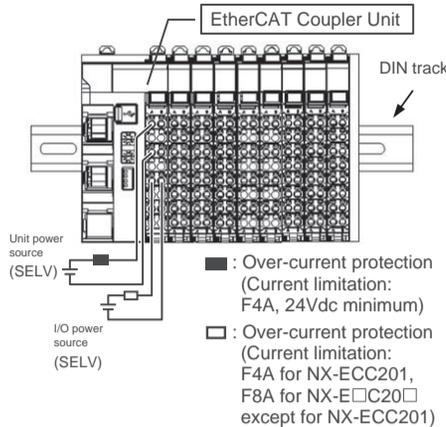
●Direction for installation

Vertical only.

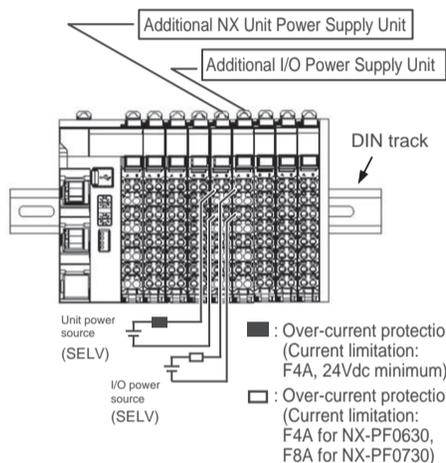


●Current restrictions from power supply connector

The external power supplies must be DC power supplies that satisfy the SELV requirements. It must be equipped with an over-current protection with current limitation.



Use fuses of either of the following categories
 •cULus Listed
 •UL Listed and CSA certified



Use fuses of either of the following categories
 •cULus Listed
 •UL Listed and CSA certified

●Cleaning

Do not use paint thinner or similar chemical to clean with. Use a dry cloth.

●Cable

Please select the cable by which rated temperature is 80°C or above.

●Enclosure type

You must use this product in a control board.
 Enclosure type: Type 1 or more.

●Power consumption

- NX unit power consumption is as follows:
- NX-HAD401 : 3.3 W, 5.8V
- NX-HAD402 : 3.3 W, 5.8V
- I/O Power INPUT : 8A max, 5-24V
- I/O Power OUTPUT : 8A max, 5-24V

●Rating

- NX-HAD401:
- Digital Input:24V dc, 3.5 mA/P, 4 pts(NPN type), SELV
- Device supply:0.1A/P, 4 pts
- Analog Input:-10 to +10 V, 0 to 10V, -5 to 5V, 0 to 5V, 1 to 5V, 0 to 20 mA, 4 to 20 mA, DIFFERENTIAL, 4 pts
- NX-HAD402:
- Digital Input:24V dc, 3.5 mA/P, 4 pts(PNP type), SELV
- Device supply:0.1A/P, 4 pts
- Analog Input:-10 to +10 V, 0 to 10V, -5 to 5V, 0 to 5V, 1 to 5V, 0 to 20 mA, 4 to 20 mA, DIFFERENTIAL, 4 pts

●Operating Temperature Code

T4A

Conformance to UL Standards and CSA Standards

●Compliance with Class I Division 2 Hazardous Location:

Input and output wiring must be in accordance with Class I, Div. 2 wiring methods and in accordance with the authority having jurisdiction.

1. This equipment is suitable for use in Class I, Div.2, Group A, B, C, D or Non-Hazardous Locations Only.
2. WARNING - EXPLOSION HAZARD - DO NOT DISCONNECT EQUIPMENT INPUT TERMINAL OR BUS CONNECTOR WHILE THE CIRCUIT IS LIVE OR UNLESS THE AREA IS KNOWN TO BE FREE OF IGNITABLE CONCENTRATIONS
3. This device is open-type and is required to be installed in an enclosure suitable for the environment and that can only be accessed with the use of a tool or key.

1. Cet équipement convient à l'utilisation dans des emplacements de Classe I, Division 2, Groupes A, B, C, D, ou ne convient qu'à l'utilisation dans des endroits non dangereux.
2. AVERTISSEMENT - RISQUE D'EXPLOSION - NE PAS DECONNECTER LA BORNE D'ENTREE DE L'EQUIPEMENT OU LE CONNECTEUR DE BUS PENDANT QUE LE CIRCUIT EST SOUS TENSION SAUF DANS LES EMPLACEMENTS EST DESIGNÉ LOIN DE LES INFLAMMABLE CONCENTRATIONS.
3. Ce dispositif est de type ouvert et doit être installé dans un coffret adapté à l'environnement et auquel on ne pourra accéder uniquement au moyen d'un outil ou d'une cle.

Conformance to EU Directives

This product is EMC-compliant when assembled in PLC system or Machine Automation Controller. To ensure the EU Directive conformance of customer's machinery or equipment in which the product is incorporated, be sure to observe the following precautions.

1. This product is defined as an in-panel device and must be installed within a control panel.
2. The SELV requirements must be satisfied for the DC power supply connected to the DC Power Supply Unit, Communications Unit, and I/O Unit.
3. This product complies with the common emission standard (EN61131-2, EN61000-6-4) with regard to EMI. For the radiated emission requirement (10-m regulations), in particular, please note that the actual emission varies depending on the configuration of the control panel to be used, the connected devices, and wiring methods. Therefore, the customer must confirm the EU Directive conformance of the overall machinery or equipment by themselves, even if this EU conforming product is used.

This is a class A product. In residential areas it may cause radio interference, in which case the user may be required to take adequate measures to reduce interference.

We have confirmed that this product conforms to EMC standards with OMRON S8VK-S series Power Supplies.

●Applicable wire size for Unit power source and IO power source terminal

Current limitation	Type	Strip length	Conductor surface
4A max.	Solid/Strand	9mm	Plated
Exceeds 4A	Strand	9mm	Plated

Do not use ferrule terminals. Insert the strand or solid wire directly into the holes on the terminal block.
 Please select wire size suitable for rated current.

Wire size	Current (MAX)
AWG 24	2A
AWG 22	3A
AWG 20	5A
AWG 18	7A
AWG 16	10A

●Applicable wire size for IO terminal

Type	Wire size	Strip length
Solid/Strand	AWG 28-16	9mm

Do not use ferrule terminals. Insert the strand or solid wire directly into the holes on the terminal block.

Conformance to KC Standards

Observe the following precaution if you use NX-series Unit in Korea.

● 사용 자 안 내 문
 이 기기는 업무용 환경에서 사용할 목적으로 적합성평가를 받은 기기로서 가정용 환경에서 사용하는 경우 전파간섭의 우려가 있습니다.

Guidance for users
 This product meets the electromagnetic compatibility requirements for business use. There is a risk of radio interference when this product is used in home.

OMRON

OMRON Corporation (Manufacturer)
Control Devices Division H.Q.
 Shiokoji Horikawa, Shimogyo-ku, Kyoto, 600-8530 Japan
 Tel: (81)75-344-7109
 Fax: (81)75-344-7149

Regional Headquarters
OMRON EUROPE B.V. (Importer in EU)
 Wegalaan 67-69, 2132 JD Hoofddorp
 The Netherlands
 Tel: (31)2356-81-300
 Fax: (31)2356-81-388

OMRON ELECTRONICS LLC
 2895 Greenspoint Parkway, Suite 200 Hoffman Estates, IL 60169 U.S.A.
 Tel: (1) 847-843-7900
 Fax: (1) 847-843-7787

OMRON ASIA PACIFIC PTE. LTD.
 No. 438A Alexandra Road # 05-05/08 (Lobby 2),
 Alexandra Technopark, Singapore 119967
 Tel: (65)6835-3011
 Fax: (65)6835-2711

OMRON (CHINA) CO., LTD.
 Room 2211, Bank of China Tower, 200 Yin Cheng Zhong Road, PuDong New Area, Shanghai, 200120 China
 Tel: (86)21-5037-2222
 Fax: (86)21-5037-2200

Note: Specifications are subject to change without notice.
 Printed in China

NX Series

Safety Precautions

Thank you for purchasing an NX-Series. To ensure the safe usage of the Controller, read and understand this document and the manuals for all other Units in the Controller. Contact your OMRON representative and make sure that you use the most recent version of each manual. Keep this document and all relative manuals in a safe place, and make sure that they are delivered to the final user of the Controller.

OMRON Corporation

© OMRON Corporation 2019 All Rights Reserved.

5377009-0B

Trademarks

- EtherCAT® is registered trademark and patented technology, licensed by Beckhoff Automation GmbH, Germany.
- ODVA, CIP, CompoNet, DeviceNet, and EtherNet/IP are trademarks of ODVA.
- Other company names and product names in this document are the trademarks or registered trademarks of their respective companies.

Safety Precautions

Definition of Precautionary Information

WARNING

Indicates a potentially hazardous situation which, if not avoided, could result in death or serious injury. Additionally, there may be severe property damage.

Caution

Indicates a potentially hazardous situation which, if not avoided, may result in minor or moderate injury, or property damage.

Safety Precautions

WARNING

Always confirm safety at the destination before you transfer the Unit configuration information, parameters, set values, or other data from the Sysmac Studio or other Support Software. The devices or machines may perform unexpected operation regardless of the operating mode of the CPU Unit.

Provide safety measures in external circuits to ensure safety in the system if an abnormality occurs due to malfunction of the CPU Unit, other Units, or slaves or due to other external factors affecting operation. Not doing so may result in serious accidents due to incorrect operation.

- Emergency stop circuits, interlock circuits, limit circuits, and similar safety measures must be provided in external control circuits.
- The CPU Unit will turn OFF all outputs from Basic Output Units in the following cases. The remote I/O slaves will operate according to the settings in the slaves.

- If an error occurs in the power supply
 - If the power supply connection becomes faulty
 - If a CPU watchdog timer error or CPU reset occurs
 - If a major fault level Controller error occurs
- While the CPU Unit is in standby unit RUN mode is entered after the power is turned ON
- External safety measures must be provided to ensure safe operation of the system in such cases.

- The Controller outputs may remain ON or OFF due to deposition or burning of the output relays or destruction of the output transistors. As a countermeasure for such problems, external safety measures must be provided to ensure safe operation of the system.
- If external power supplies for slaves or other devices are overloaded or short-circuited, the voltage will drop, outputs will turn OFF, and the system may be unable to read inputs. Provide external safety measures in controls with monitoring of external power supply voltage as required so that the system operates safely in such a case.
- You must take fail-safe measures to ensure safety in the event of incorrect, missing, or abnormal signals caused by broken signal lines, momentary power interruptions, or other causes. Not doing so may result in serious accidents due to incorrect operation.

Make sure that the voltages and currents that are input to the Units and slaves are within the specified ranges. Inputting voltages or currents that are outside of the specified ranges may damage the Unit or cause fire.

Do not touch any of the terminals or terminal blocks while the power is being supplied. Doing so may result in electric shock.

Do not attempt to take any Unit apart. In particular, high-voltage parts are present in the Unit that supplies power while power is supplied or immediately after power is turned OFF. Touching any of these parts may result in electric shock. There are also sharp internal parts that may cause injury.

Caution

Execute online editing only after confirming that no adverse effects will be caused by deviations in the timing of I/O. If you perform online editing, the task execution time may exceed the task period, I/O may not be refreshed with external devices, input signals may not be read, and output timing may change.

Precautions for Safe Use

- Be sure that all terminal screws and cable connector screws are tightened to the torque specified in the relevant manuals. The loose screws may result in fire or malfunction.
- Do not drop any Unit or subject it to abnormal vibration or shock. Doing so may result in Unit malfunction or burning.
- When transporting any Unit, use the special packing box for it. Also, do not subject the Unit to excessive vibration or shock during transportation.
- Do not pull on the cables or bend the cables beyond their natural limit. Also, do not place heavy objects on top of the cables or other wiring lines. Doing so may break the cables.
- Use the I/O power supply capacity within the range that is given in the Unit specifications.
- When wiring or installing the Units, do not allow metal fragments to enter the Units.
- When you replace a Unit, start operation only after you transfer the settings and variables that are required for operation to the new Unit.
- Before you start operation, always register the NX Units that are connected to the Communications Coupler Unit in the host communications master as the Unit configuration information.
- Check the user program, data, and parameter settings for proper execution before you use them for actual operation.
- Provide suitable power supply capacity according to the reference manuals.
- Use the power supply voltage that is specified in the related manuals.
- Always turn OFF the power supply to the Units before you attempt any of the following. Mounting or removing NX Units, Communications Coupler Units, or the CPU Unit Assembling the Units Setting DIP switches or rotary switches Connecting cables or wiring the system Connecting or disconnecting connectors, or removing or attaching terminal blocks Power Supply Unit may continue to supply power to the rest of the

- Units for a few seconds after the power supply turns OFF. The PWR indicator is lit during this time. Confirm that the PWR indicator is not lit before you perform any of the above.
- Confirm that no adverse effect will occur in the system before you attempt any of the following. Changing the operating mode of the CPU Unit (including changing the setting of the Operating Mode at Startup) Changing the user program or settings Changing set values or present values Forced refreshing
 - Do not exceed the ranges that are given in the specifications for the communications distance and number of connected Units.
 - Mount terminal blocks and connectors only after checking the mounting location carefully. Be sure that the terminal blocks, expansion cables, and other items with locking devices are properly locked into place.
 - When you set the Operating Mode at Startup, confirm that no adverse effect will occur in the system.
 - Do not apply voltages that exceed the rated value to any Input Unit.
 - Double-check all wiring and switch settings to make sure that they are correct before turning ON the power supply.
 - Double-check all wiring before turning ON the power supply. Use the correct wiring parts and tools when you wire the system.
 - Make sure that the cold junction sensor does not become disconnected to any Unit that requires one. If the cold junction sensor is not connected, the correct temperature will not be measured regardless of whether cold junction compensation is enabled or disabled.
 - For any Unit that has a cold junction sensor, Always use the sensor that is delivered with each Unit. The Unit and the connection circuit are individually calibrated with the attached cold junction sensor. The correct temperature can not be measured if the cold junction sensor of another unit is used or the cold junction sensor of more than one unit is replaced.

Precautions for Correct Use

- Do not turn OFF the power supply while data is being transferred.
- Follow the instructions in the manuals to correctly perform installation and wiring.
- Do not operate or store the Controller in the following locations. Burnout may occur, operation may stop or malfunctions may occur. Locations subject to direct sunlight Locations subject to temperatures or humidity outside the range specified in the specifications Locations subject to condensation as the result of severe changes in temperature Locations subject to corrosive or flammable gases Locations subject to dust (especially iron dust) or salts Locations subject to exposure to water, oil, or chemicals Locations subject to shock or vibration
- Take appropriate and sufficient countermeasures when installing the Controller in the following locations. Locations subject to strong, high-frequency noise Locations subject to static electricity or other forms of noise Locations subject to strong electromagnetic fields Locations subject to possible exposure to radioactivity Locations close to power lines
- Before touching a Unit, be sure to first touch a grounded metallic object in order to discharge any static build-up.
- Use the rated power supply voltage for the Units that supply power. Take appropriate measures to ensure that the specified power with the rated voltage and frequency is supplied in locations.
- If you use the RS-422A/485 port, check the polarity before you connect the cable. The polarity of the SDA/SDB and RDA/RDB terminals and signals are reversed for some remote devices. If the polarity is not correct, malfunctions may occur.

Relevant Manuals

Model numbers and manual name	Cat. No.
NX-ECC20□	Machine Automation Controller NX-series EtherCAT® Coupler Units User's Manual W519
NX-ID/IA/OD/OC/MD□□□□	Machine Automation Controller NX-series Digital I/O Units User's Manual W521
NX-AD□□□□ NX-DA□□□□	Machine Automation Controller NX-series Analog I/O Units User's Manual for Analog Input Units and Analog Output Units W522

NX シリーズ

安全上のご注意

このたびは当社の NX シリーズをお買い求めいただきまして誠にありがとうございました。

安全にご使用いただくために、本紙と使用するユニットの参照マニュアルを必ずお読みください。

参照マニュアルは、当社の最寄りの営業所に連絡し、最新のものをご使用ください。

また本紙と参照マニュアルは、大切に保管していただくとともに、最終ユーザ様までお届けくださいますようお願いいたします。

オムロン株式会社

© OMRON Corporation 2019 All Rights Reserved.

5377009-0B

安全上のご注意

- 警告 / 注意表示の意味
- 正しい取扱いをしなければ、この危険のために、軽傷・中程度の傷害を負ったり、万一の場合には重傷や死亡に至る恐れがあります。また、同様に重大な物的損害をもたらす恐れがあります。
- 正しい取扱いをしなければ、この危険のために、時に軽傷・中程度の傷害を負ったり、あるいは物的損害を受ける恐れがあります。

警告表示

警告

Sysmac Studio 等のツールからユニット構成情報、パラメータ等の各種データ、設定値を転送するときは、転送先の安全を確認してから行ってください。コントローラの動作モードにかかわらず、装置や機械が想定外の動作をする恐れがあります。

CPU ユニットおよび各ユニット/スレーブの故障や外部要因による異常が発生した場合でも、システム全体が安全側に働くように、外部で安全対策を施してください。異常動作により、重大な事故につながる恐れがあります。

- 非常停止回路、インタロック回路、リミット回路など、安全保護に関する回路は、必ず外部の制御回路で構成してください。
- CPU ユニットは、以下のときに、基本出力ユニットの全出力を OFF にし、リモート I/O 上のスレーブはスレーブ側の動作に従います。

- 電源部異常が発生したとき
- 電源接続不正が発生したとき
- CPU 異常 (WDT 異常) または CPU リセットが発生したとき
- 完全停止フォールトレベルのコントローラ異常が発生したとき

- 電源投入から運転モードに移行するまでの起動中これらのとき、システムが安全側に動作するよう、外部で対策を施してください。
- 出力リレーの溶着や焼損、出力トランジスタの破壊などによって、出力が ON または OFF になったままになることがあります。このとき、システムが安全側に動作するように、外部で対策を施してください。
- スレーブ機器などの外部電源が過負荷状態になる、または短絡状態になる、電圧が低下し、出力が OFF になったり、入力を取り込めなくなったりする場合があります。このときシステムが安全側に動作するよう、必要によっては外部電源電圧を監視し、制御に取り込むなど外部で対策を施してください。
- 信号線の断線、瞬時停電による異常信号などに備えて、ご使用側でフェールセーフ対策を施してください。異常動作により重大な事故につながる恐れがあります。

ユニット/スレーブに入力する電圧 / 電流は定められた範囲で入力してください。範囲外の電圧 / 電流を使用すると故障や火災の原因となります。

通電中は、端子部に触れないでください。感電の恐れがあります。

本製品を分解しないでください。特に通電中や通電 OFF 直後は、電源供給するユニット内部には昇圧による電圧の高い部分があり、感電の恐れがあります。また、内部の鋭利な部品だけがをすることがあります。

注意

入出力タイミングが乱れても影響のないことを確認してからオンラインエディットをしてください。オンラインエディットすると、タスク実行時間がタスク周期を上回り、外部との入出力が更新されず、入力信号を読み取れない、外部より、出力タイミングが乱れる場合があります。

安全上の要点

- 端子台のねじ、ケーブルのねじは、本マニュアルまたは参照マニュアルで指定したトルクで締め付けてください。ねじが緩むと発火および誤動作の原因となります。
- 製品を落下させたり、異常な振動・衝撃を与えたりしないでください。製品の故障、焼損の可能性がります。
- ユニットの輸送するときは、専用の梱包箱を使用してください。また、輸送中に過度な振動や衝撃が加わらないように注意してください。
- ケーブルを無理に曲げたり、引っ張ったりしないでください。また、ケーブルのコード部に重いものを載せないでください。断線する恐れがあります。
- 使用される I/O 電源の容量は、ユニットの仕様の範囲内でご使用ください。
- 配線および施工の際は、ユニット内部に金属屑が入らないように注意してください。
- ユニットの交換するときは運転再開に必要な設定データ、変数を交換したユニットに転送してから、運転を開始してください。
- 運転時には、必ず、通信カプラユニットに接続した NX ユニットの構成情報として、上位の通信マスタに登録してください。
- 作成したユーザプログラムおよび各種データ・設定値は、十分な動作確認を行った後、本運転に移行してください。
- 参照マニュアルに基づき、適切な電源容量で使用してください。
- 参照マニュアルで指定した電源電圧で使用してください。
- 次のことを行うときは、ユニットの外部供給電源を OFF にしてください。NX ユニットや通信カプラユニット / CPU ユニットの着脱するとき 装置を組み立てるとき ディバイススイッチやロータリスイッチを設定するとき ケーブルを接続、配線するとき

- 端子台やコネクタを取り付けた後、取り外しするとき電源切断後、電源供給するユニットは数秒間ユニットに対して給電を継続する場合があります。この間 PWR LED が点灯します。上記の操作は、PWR LED の消灯を確認してから行ってください。
- 次の操作は設備に影響がないかを要確認した上で行ってください。CPU ユニットの動作モードの変更 (電源投入時の動作モード設定を含む) ユーザプログラム、設定の変更 設定値 / 現在値の変更 強制値リフレッシュ
- 通信距離および接続台数は仕様範囲内でご使用ください。
- 端子台、コネクタは装着位置を十分確認してから、装着してください。端子台、増設ケーブルなどロック機構のあるものは、必ずロックしていることを確認してからご使用ください。
- 電源投入時の動作モードに関しては設備に影響がないことを確認した上で、設定してください。
- 入力ユニットには、定格値を超える電圧を印加しないでください。
- 配線やスイッチの設定に間違いがないかを十分確認してから通電してください。
- 配線を十分に確認してから通電してください。配線をする際は、正しい配線部品、配線工具をご使用ください。
- 冷接点センサを持つユニットの冷接点センサを取り外さないで使用してください。冷接点センサが外れている場合、冷接点補償有効 / 無効の設定に関わらず、正しい温度が測定できません。
- 冷接点センサを持つユニットは、納入時に付いていた冷接点センサをそのまま使用してください。付属の冷接点センサでユニットおよびその接続回路が個別に校正されていますので、他のユニットの冷接点センサを使用したり、複数のユニットの冷接点センサを取り替えた場合、正しい温度が測定できなくなります。

使用上の注意

- データの転送中はユニットの電源を OFF にしないでください。
- マニュアルに必ず通り、正しく設置や配線をしてください。
- 次のような環境に設置や保管をしないでください。焼損、運転停止、誤動作する可能性があります。日光が直接当たる場所 周囲温度や相対湿度が仕様値の範囲を超える場所 温度変化が急激で結露するような場所 腐食性ガス、可燃性ガスのある場所 ちり、ほこり、塵分、鉄粉が多い場所 水、油、薬品などの飛沫 (ひまつ) がかかる場所 本体に直接振動や衝撃が伝わる場所
- 次のような場所で使用する際は、遮蔽対策を十分に行ってください。強い高周波ノイズを発生する機器の近く 静電気などによるノイズが発生する場所 強い電界や磁界が生じる場所 放射線を被曝する恐れのある場所 電源線や動力線が近くを通る場所
- 接地された金属に触るなどして人体の静電気を放電させてから、ユニットに触れてください。
- 電源供給するユニットは定格電源電圧で使用してください。特に電源事情が厳しい場所では、定格の電圧と周波数の電圧が供給できるようにしてください。
- RS-422A/485ポートを使用する際は、ケーブルの極性を確認して接続してください。相手機器によって、略称SDA/B、RODA/Bと信号の+/−極性が逆になるものがあります。ケーブルの極性が間違っていると、誤動作する恐れがあります。

参照マニュアル

形式 / マニュアル名称	Man. No.
形NX-ECC20□	マシンオートメーションコントローラ NXシリーズ EtherCAT®カプラユニット ユーザーズマニュアル SBCD-361
形NX-ID/IA/OD/OC/MD□□□□	マシンオートメーションコントローラ NXシリーズ デジタルI/Oユニット ユーザーズマニュアル SBCA-407
形NX-AD□□□□ NX-DA□□□□	マシンオートメーションコントローラ NXシリーズ アナログI/Oユニット ユーザーズマニュアル アナログ入力ユニット、アナログ出力ユニット編 SBCA-408

NX-HAD□□□	Machine Automation Controller NX-series Analog I/O Units User's Manual for High-speed Analog input Units	W592
NX-TS□□□□ NX-HB□□□□	Machine Automation Controller NX-series Analog I/O Units User's Manual for Temperature Input Units and Heater Burnout Detection Units	W566
NX-TC□□□□	Machine Automation Controller NX-series Temperature Control Units User's Manual	H228
NX-PD/PF/PC□□□□ NX-TBX□□	Machine Automation Controller NX-series System Units User's Manual	W523
NX-EC□□□□ NX-EC5□□□ NX-PG□□□□	Machine Automation Controller NX-series Position Interface Units User's Manual	W524
NX-CIF□□□□	Machine Automation Controller NX-series Communications Interface Units User's Manual	W540
NX-RS□□□□	Machine Automation Controller NX-series Loadcell Input Units User's Manual	W565
NX-ILM□□□□	Machine Automation Controller NX-series IO-Link Master Units User's Manual	W567
NX Series	Machine Automation Controller NX-series Data Reference Manual	W525
SYSMAC-SE2□□□	Sysmac Studio Version 1 Operation Manual	W504

Suitability for Use

Omron Companies shall not be responsible for conformity with any standards, codes or regulations which apply to the combination of the Product in the Buyer's application or use of the Product. At Buyer's request, Omron will provide applicable third party certification documents identifying ratings and limitations of use which apply to the Product. This information by itself is not sufficient for a complete determination of the suitability of the Product in combination with the end product, machine, system, or other application or use. Buyer shall be solely responsible for determining appropriateness of the particular Product with respect to Buyer's application, product or system. Buyer shall take application responsibility in all cases.

NEVER USE THE PRODUCT FOR AN APPLICATION INVOLVING SERIOUS RISK TO LIFE OR PROPERTY OR IN LARGE QUANTITIES WITHOUT ENSURING THAT THE SYSTEM AS A WHOLE HAS BEEN DESIGNED TO ADDRESS THE RISKS, AND THAT THE OMRON PRODUCT(S) IS PROPERLY RATED AND INSTALLED FOR THE INTENDED USE WITHIN THE OVERALL EQUIPMENT OR SYSTEM.

OMRON Corporation Industrial Automation Company

Kyoto, JAPAN

Contact: www.ia.omron.com

- Regional Headquarters**
- OMRON EUROPE B.V.** Wegalaan 67-69, 2132 JD Hoofddorp The Netherlands Tel: (31)2356-81-300 Fax: (31)2356-81-388
- OMRON ASIA PACIFIC PTE. LTD.** No. 438A Alexandra Road, # 05-05/08 (Lobby 2), Alexandra Technopark, Singapore 119967 Tel: (65) 6835-3011 Fax: (65) 6835-2711
- OMRON ELECTRONICS LLC** 2895 Greenspoint Parkway, Suite 200 Hoffman Estates, IL 61069 U.S.A. Tel: (1) 847-843-7900 Fax: (1) 847-843-7787

- OMRON (CHINA) CO., LTD.** Room 2211, Bank of China Tower, 200 Yin Cheng Zhong Road, Pu Dong New Area, Shanghai, 201210, China Tel: (86) 21-5037-2222 Fax: (86) 21-5037-2220

Note: Specifications are subject to change without notice.

形NX-HAD□□□	マシンオートメーションコントローラ NXシリーズ アナログI/Oユニット ユーザーズマニュアル 高速アナログ入力ユニット編	SBCA-461
形NX-TS□□□□ 形NX-HB□□□□	マシンオートメーションコントローラ NXシリーズ アナログI/Oユニット ユーザーズマニュアル 温度入力ユニット、ヒータ断線検知ユニット編	SBCA-440
形NX-TC□□□□	マシンオートメーションコントローラ NXシリーズ 温度調節ユニット ユーザーズマニュアル	SGTD-748
形NX-PD/PF/PC□□□□ 形NX-TBX□□□	マシンオートメーションコントローラ NXシリーズ システムユニット ユーザーズマニュアル	SBCA-409
形NX-EC□□□□ 形NX-EC5□□□ 形NX-PG□□□□	マシンオートメーションコントローラ NXシリーズ 位置インタフェースユニット ユーザーズマニュアル	SBCB-374
形NX-CIF□□□□	マシンオートメーションコントローラ NXシリーズ コミュニケーションインタフェースユニット ユーザーズマニュアル	SBCA-422
形NX-RS□□□□	マシンオートメーションコントローラ NXシリーズ ロードセル入力ユニット ユーザーズマニュアル	SBCA-439
形NX-ILM□□□□	マシンオートメーションコントローラ NXシリーズ IO-Linkマスタユニット ユーザーズマニュアル	SBCD-370
NXシリーズ	マシンオートメーションコントローラ NXシリーズ データリファレンスマニュアル	SBCA-410
形SYSMAC-SE2□□□	Sysmac Studio Version 1 オペレーションマニュアル	SBCA-362

ご承諾事項

当社商品は、一般工業製品向けの汎用品として設計製造されています。従いまして、次に掲げる用途での使用を意図しておらず、お客様が当社商品をこれらの用途に使用される際には、当社は当社商品に対して一切保証をいたしません。ただし、次に掲げる用途であっても、当社の意図した特別な高品質用途の場合や特別の合意がある場合は除きます。

- 高い安全性が必要とされる用途 (例: 原子力制御設備、焼結設備、航空・宇宙設備、鉄道設備、昇降設備、娯楽設備、医用機器、安全装置、その他生命・身体に危険が及びうる用途)
- 高い信頼性が必要な用途 (例: ガス・水道、電気等の供給システム、24時間連続運転システム、決済システムほか権利・財産を取扱う用途など)
- 厳しい条件または環境での用途 (例: 屋外に設置する設備、化学的汚染を被る設備、電磁的妨害を被る設備、振動・衝撃を受ける設備など)
- カタログ等に記載のない条件や環境での用途

* (a) から (d) に記載されている他、本カタログ等記載の商品は自動車 (二輪車を含む。以下同様) 向けではありません。自動車に搭載する用途には利用しないで下さい。自動車搭載用商品については当社営業担当者にご相談ください。
* 上記は適合用途の商品の一部です。当社のベスト・総合カタログ、データシート等最新版のカタログ、マニュアルに記載の保証・免責事項の内容をよく読んでご使用ください。

オムロン株式会社

インダストリアルオートメーション ビジネスカンパニー

● 製品に関するお問い合わせ先
お客様相談室

フリーダイヤル
0120-919-066

携帯電話・PHS・IP電話などにご利用いただけますので、下記の電話番号へおかけください。
電話 055-982-5015 (通話料がかかります)

● 営業時間 : 8:00 ~ 21:00 ● 営業日 : 365日

● FAXやWebページでもお問い合わせいただけます。
FAX 055-982-5051 / www.fa.omron.co.jp

● その他のお問い合わせ
納期・価格・サンプル・仕様書は貴社のお取引先、または貴社担当オムロン販売員にご相談ください。
オムロン制御機器販売店やオムロン販売拠点は、Webページでご案内しています。

お断りなく仕様などを変更することがありますのでご了承ください。